

TH6

series



Product Segments

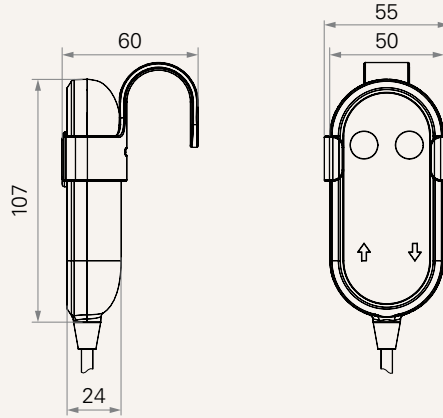
- **Comfort Motion**

General Features

Connected actuators	1~2
Maximum available buttons	4
Color	Black or grey
LED indicator	

Drawing

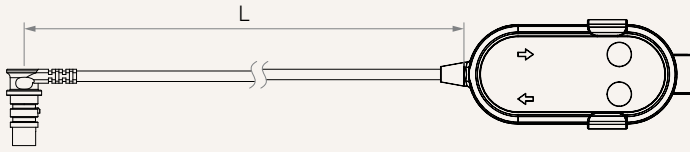
Standard Dimensions
(mm)



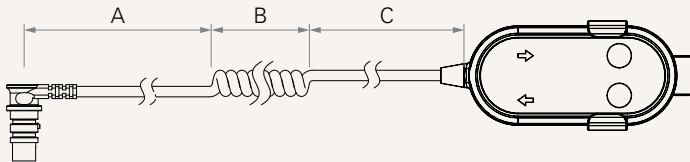
Number of Actuators	1 = 1	2 = 2
Plug	1 = DIN 5P, for TDC 2 = DIN 8P, for TC2 / TC3 / TC7 3 = Short DIN 5P, 90°, for direct cut system	4 = DIN 8P, 180°, for extension cable 5 = RJ 10P, 180°, for TC6 / TC9 / extension cable
Color	1 = Black	2 = Pantone 428C
Safety Key	0 = Without	1 = With
Key Definition	01-12 = 01-12 Note: please contact TiMOTION before making an order	
Cable Length (mm) See page 4	1 = Straight, 1500	2 = Curly, A:1000; B:200; C:200
MCU	0 = Without	
Control Box Type	0 = With MCU control box	1 = With MCU control box
Communication Type	2 = Switch type 3 = Single-direction scan type	4 = Duel-direction scan type
Hook Type	0 = Without	1 = Standard

Cable Length

CODE2



CODE7



Cable Section (mm)

CODE	Length (mm)
2	Straight, L = 1500
7	Coiled, A = 1000, B = 200, C = 200

Terms of Use

The user is responsible for determining the suitability of TiMOTION products for a specific application. TiMOTION products are subject to change without prior notice.