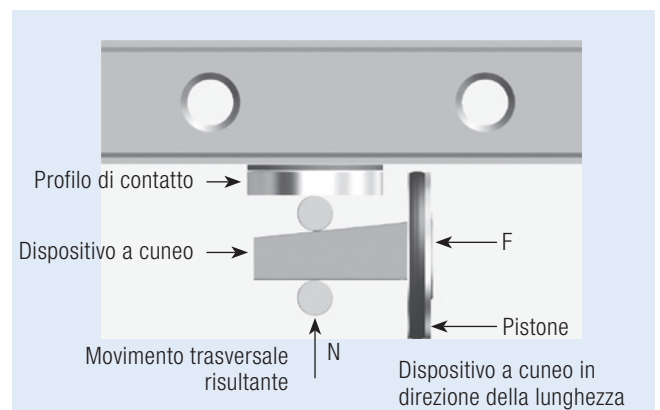


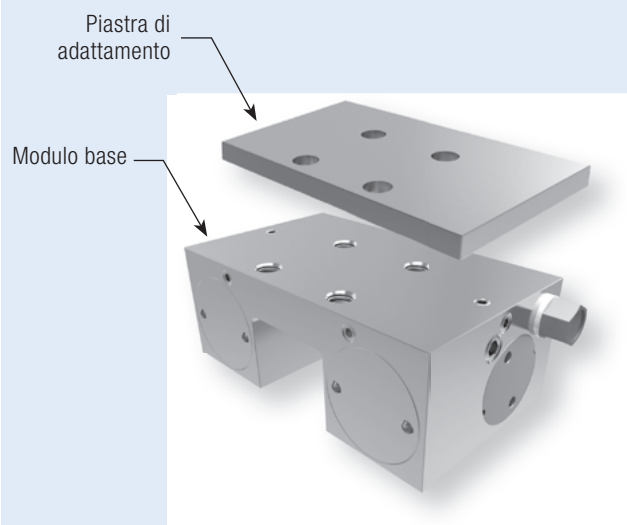
Forze di arresto elevate a costi ridotti: caratteristiche offerte dall'elemento di bloccaggio MK/MKS.

La serie MK/MKS è la serie classica tra gli elementi di bloccaggio offerti da Zimmer. Il dispositivo a cuneo brevettato produce elevate forze di arresto. Il mezzo a pressione muove il dispositivo a cuneo in direzione della lunghezza. I profili di contatto, grazie al movimento trasversale risultante, premono con forza elevata sulle superfici

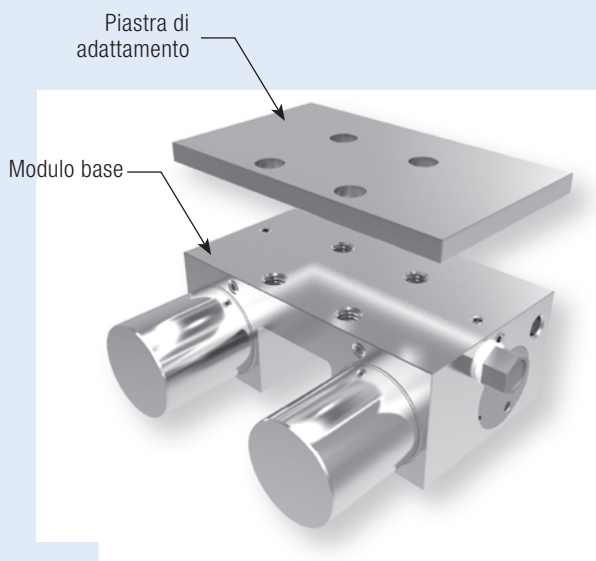
libere della guida profilata. MK è un elemento che serra per mezzo di pressione pneumatica. MKS serra per mezzo di un accumulatore di energia a molla e viene aperto da immissione di aria.



Serie MKS



Serie MK



Caratteristiche tecniche serie MK:

Grandezza guida	12-100
Forze di arresto	350 N-2 250 N
Pressione min.	6 bar
Pressione max.	8 bar
Accumulatore di energia a molla	-
Raccordo PLUS	-
Cicli di bloccaggio	5 milioni (valore B10d)
Cicli di frenatura	non indicata

Applicazioni dell'elemento MK:

- Posizionamento di assi
- Fissaggio di assi verticali
- Posizionamento di dispositivi di sollevamento
- Serraggio di tavole mobili

Possibilità di attacco MK/MKS:

Nella versione di base, le serie MK e MKS sono provviste di attacchi aria da entrambi i lati. Ciò significa che l'attacco aria predisposto di fabbrica nonché il filtro di sfiato possono essere scambiati sulla superficie laterale opposta.

Forza di arresto elevata grazie al raccordo PLUS (solo con MKS):

Con l'utilizzo di una valvola a 5/2 vie (senza troppopieno) o a 5/3 vie è possibile supportare la forza elastica con pressione pneumatica. L'attacco in questa variante permette di aumentare la forza di arresto indicata.

Utilizzando il raccordo PLUS (solo con MKS), il filtro di sfiato viene sostituito dal collegamento della seconda linea pneumatica (vedere schema allacciamenti).

Ulteriori informazioni si possono trovare nelle istruzioni di montaggio o sul sito www.zimmer-gmbh.

*Indicazione: nel caso del raccordo PLUS non si raggiunge il valore B10d.

Caratteristiche tecniche serie MKS:

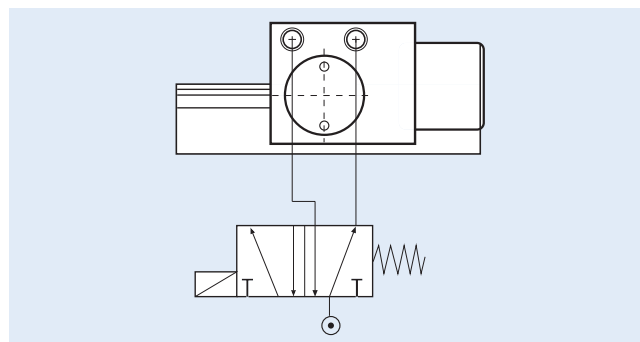
Grandezza guida	12-100
Forza di arresto	250 N-1 450 N
Pressione min.	5,5 bar
Pressione max.	8 bar
Accumulatore di energia a molla	✓
Raccordo PLUS	✓
Cicli di bloccaggio	5 milioni (valore B10d)*
Cicli di frenata	non indicata

Applicazioni dell'elemento MKS:

- Bloccaggio in caso di caduta di pressione
- Bloccaggio senza fabbisogno energetico

Accessorio piastra di adattamento MK/MKS:

In base all'altezza del carrello (misura D) è necessario ordinare una piastra di adattamento addizionale (vedere tabella dalla pagina 38).



Tipo guida	Grandezza guida	Tipo carrello	Codice articolo	Piastra di adattamento (per compensazione altezze)	Quota D [mm] ^{*1}	Tabella quote (pagina 48 e 49)	
SR, SSR	15	SR..W, SR..WM, SR..V, SR..VM, SR..TB, SR..TBM, SR..SB, SR..SBM, SSR..XW, SSR..XWM, SSR..XV, SSR..XVM, SSR..XTB	MK/MKS 1501 A		24	1	
	20	SR..W, SR..WM, SR..V, SR..VM, SR..TB, SR..TBM, SR..SB, SR..SBM, SSR..XW, SSR..XWM, SSR..XV, SSR..XVM, SSR..XTB	MK/MKS 2001 A		28	7	
	25	SR..W, SR..WM, SR..V, SR..VM, SR..TB, SR..TBM, SR..SB, SR..SBM, SSR..XW, SSR..XWM, SSR..XV, SSR..XVM, SSR..XTB	MK/MKS 2501 A		33	17	
	30	SR..W, SR..WM, SR..V, SR..VM, SR..TB, SR..TBM, SR..SB, SR..SBM, SSR..XW, SSR..XWM	MK/MKS 3001 A		42	29	
	35	SR..W, SR..WM, SR..V, SR..VM, SR..TB, SR..TBM, SR..SB, SR..SBM, SSR..XW	MK/MKS 3501 A	PMK 35-3	48	36	
	45	SR..W, SR..TB	MK/MKS 4501 A		60	46	
	55	SR..W, SR..TB	MK/MKS 5501 SR		68	55	
HSR	15	HSR..A, HSR..AM, HSR..B, HSR..BM, HSR..C HSR..R, HSR..RM, HSR..YR, HSR..YRM	MK/MKS 1501 A MK/MKS 1501 A		24 28	1	
	20	HSR..A, HSR..AM, HSR..LA, HSR..LAM, HSR..B, HSR..BM, HSR..LB, HSR..LBM, HSR..C, HSR..R, HSR..RM, HSR..LR, HSR..LRM, HSR..YR, HSR..YRM, HSR..CA, HSR..CAM, HSR..HA, HSR..HAM, HSR..CB, HSR..CBM, HSR..HB, HSR..HBM	MK/MKS 2001 A		30	9	
	25	HSR..A, HSR..AM, HSR..LA, HSR..LAM, HSR..B, HSR..BM, HSR..LB, HSR..LBM, HSR..C, HSR..CA, HSR..CAM, HSR..HA, HSR..HAM, HSR..CB, HSR..CBM, HSR..HB, HSR..HBM HSR..R, HSR..RM, HSR..LR, HSR..LRM, HSR..YR, HSR..YRM	MK/MKS 2501 A MK/MKS 2501 A		36 40	19	
	30	HSR..A, HSR..AM, HSR..LA, HSR..LAM, HSR..B, HSR..BM, HSR..LB, HSR..LBM, HSR..C, HSR..CA, HSR..CAM, HSR..HA, HSR..HAM, HSR..CB, HSR..CBM, HSR..HB, HSR..HBM HSR..R, HSR..RM, HSR..LR, HSR..LRM, HSR..YR, HSR..YRM	MK/MKS 3001 A MK/MKS 3001 A		42 45	29	
	35	HSR..A, HSR..AM, HSR..LA, HSR..LAM, HSR..B, HSR..BM, HSR..LB, HSR..LBM, HSR..C, HSR..CA, HSR..CAM, HSR..HA, HSR..HAM, HSR..CB, HSR..CBM, HSR..HB, HSR..HBM HSR..R, HSR..RM, HSR..LR, HSR..LRM, HSR..YR, HSR..YRM	MK/MKS 3501 A MK/MKS 3501 A		48 55	36	
	45	HSR..A, HSR..LA, HSR..B, HSR..LB, HSR..CA, HSR..HA, HSR..CB, HSR..HB HSR..R, HSR..LR, HSR..YR	MK/MKS 4501 A MK/MKS 4501 A		60 70	46	
	55	HSR..A, HSR..LA, HSR..B, HSR..LB, HSR..CA, HSR..HA, HSR..CB, HSR..HB HSR..R, HSR..LR, HSR..YR	MK/MKS 5501 A MK/MKS 5501 A		70 80	56	
	65	HSR..A, HSR..LA, HSR..B, HSR..LB, HSR..CA, HSR..HA, HSR..CB, HSR..HB, HSR..R, HSR..LR, HSR..YR	MK/MKS 6501 A		90	60	
	85	HSR..A, HSR..LA, HSR..B, HSR..LB, HSR..CA, HSR..HA, HSR..CB, HSR..HB, HSR..R, HSR..LR	Ⓒ		110	Ⓒ	
	GSR	15	GSR..T, GSR..V	Ⓒ		20	Ⓒ
		20	GSR..T, GSR..V	MK/MKS 2001 G★		24	5
		25	GSR..T, GSR..V	MK/MKS 2501 G★		30	23
		30	GSR..T	MK/MKS 3001 G★		33	31
		35	GSR..T	MK/MKS 3501 G★		38	32
	HRW	12	HRW..LRM	Ⓒ		12	Ⓒ
17		HRW..CA, HRW..CAM, HRW..CR, HSR..CRM	MK/MKS 1701 B		17	11	
21		HRW..CA, HRW..CAM, HRW..CR, HSR..CRM	MK/MKS 2101 B★		21	24	
27		HRW..CA, HRW..CAM, HRW..CR, HSR..CRM	MK/MKS 2701 B★		27	25	
35		HRW..CA, HRW..CAM, HRW..CR, HSR..CRM	MK/MKS 3501 B		35	49	
50		HRW..CA, HRW..CR	MK/MKS 5001 B		50	62	
60	HRW..CA	Ⓒ		60	Ⓒ		
SHW	12	SHW..CAM, SHW..CRM, SHW..HRM	Ⓒ		12	Ⓒ	
	17	SHW..CAM, SHW..CRM	MK/MKS 1701 B		17	11	
	21	SHW..CA, SHW..CR	MK/MKS 2101 B★		21	24	
	27	SHW..CA, SHW..CR	MK/MKS 2701 B★		27	25	
	35	SHW..CA, SHW..CR	MK/MKS 3501 B		35	49	
	50	SHW..CA, SHW..CR	MK/MKS 5001 B		50	62	
SHS	15	SHS..C, SHS..LC, SHS..V, SHS..LV SHS..R	MK/MKS 1501 A MK/MKS 1501 A		24 28	1	
	20	SHS..C, SHS..LC, SHS..V, SHS..LV	MK/MKS 2001 A		30	9	
	25	SHS..C, SHS..LC, SHS..V, SHS..LV SHS..R, SHS..LR	MK/MKS 2501 A MK/MKS 2501 A		36 40	18	
	30	SHS..C, SHS..LC, SHS..V, SHS..LV SHS..R, SHS..LR	MK/MKS 3001 A MK/MKS 3001 A		42 45	29	
	35	SHS..C, SHS..LC, SHS..V, SHS..LV SHS..R, SHS..LR	MK/MKS 3501 A MK/MKS 3501 A		48 55	37	
	45	SHS..C, SHS..LC, SHS..V, SHS..LV SHS..R, SHS..LR	MK/MKS 4501 A MK/MKS 4501 A		60 70	44	
	55	SHS..C, SHS..LC, SHS..V, SHS..LV SHS..R, SHS..LR	MK/MKS 5501 A MK/MKS 5501 A		70 80	53	
	65	SHS..C, SHS..LC, SHS..V, SHS..LV	MK/MKS 6501 A		90	60	

* Raccordo PLUS non possibile
 *1 Serve a completamento della tabella quote e del data sheet

Per la spiegazione dei codici numerici vedere a pagina 10

Tipo guida	Grandezza guida	Tipo carrello	Codice articolo	Piastra di adattamento	Quota D [mm] *1	Tabella quote (Pagina 48 e 49)
SNR, SNS	25	SNR..R, SNR..LR, SNR..C, SNR..LC, SNS..R, SNS..LR, SNS..C, SNS..LC	MK/MKS 2501 N		31	61
	30	SNR..R, SNR..LR, SNR..C, SNR..LC, SNS..R, SNS..LR, SNS..C, SNS..LC	MK/MKS 3001 A		38	26
	35	SNR..R, SNR..LR, SNR..C, SNR..LC, SNS..R, SNS..LR, SNS..C, SNS..LC	MK/MKS 3501 A		44	37
	45	SNR..CH, SNR..LCH, SNS..CH, SNS..LCH	MK/MKS 3501 A	PMK 35-4	48	43
		SNR..RH, SNR..LRH, SNS..RH, SNS..LRH	MK/MKS 3501 A	PMK 35-11	55	
		SNR..R, SNR..LR, SNR..C, SNR..LC, SNS..R, SNS..LR, SNS..C, SNS..LC	MK/MKS 4501 A		52	
	55	SNR..CH, SNR..LCH, SNS..CH, SNS..LCH	MK/MKS 4501 A	PMK 45-8	60	52
		SNR..RH, SNR..LRH, SNS..RH, SNS..LRH	MK/MKS 4501 A	PMK 45-18	70	
		SNR..R, SNR..LR, SNR..C, SNR..LC, SNS..R, SNS..LR, SNS..C, SNS..LC	MK/MKS 5501 A		63	
	65	SNR..CH, SNR..LCH, SNS..CH, SNS..LCH	MK/MKS 5501 A	PMK 55-7	70	47
SNR..RH, SNR..LRH, SNS..RH, SNS..LRH		MK/MKS 5501 A	PMK 55-17	80		
85	SNR..R, SNR..LR, SNR..C, SNR..LC, SNS..R, SNS..LR, SNS..C, SNS..LC	MK/MKS 6501 N		75	47	
	85	SNR..LR, SNR..LC, SNS..LR, SNS..LC	MK/MKS 8501 A	PMK 85-8	90	67
NR, NRS	25	NR..XR, NR..XLR, NR..XA, NR..XLA, NR..XB, NR..XLB, NRS..XR, NR S..XLR, NRS..XA, NRS..XLA, NRS..XB, NRS..XLB	MK/MKS 2501 N		31	61
	30	NR..R, NR..LR, NR..A, NR..LA, NR..B, NR..LB, NRS..R, NRS..LR, NRS..A, NRS..LA, NRS..B, NRS..LB	MK/MKS 3001 A		38	26
	35	NR..R, NR..LR, NR..A, NR..LA, NR..B, NR..LB, NRS..R, NRS..LR, NRS..A, NRS..LA, NRS..B, NRS..LB	MK/MKS 3501 A		44	37
	45	NR..R, NR..LR, NR..A, NR..LA, NR..B, NR..LB, NRS..R, NRS..LR, NRS..A, NRS..LA, NRS..B, NRS..LB	MK/MKS 4501 A		52	43
	55	NR..R, NR..LR, NR..A, NR..LA, NR..B, NR..LB, NRS..R, NRS..LR, NRS..A, NRS..LA, NRS..B, NRS..LB	MK/MKS 5501 A		63	52
	65	NR..R, NR..LR, NR..A, NR..LA, NR..B, NR..LB, NRS..R, NRS..LR, NRS..A, NRS..LA, NRS..B, NRS..LB	MK/MKS 6501 N		75	47
	85	NR..R, NR..LR, NR..A, NR..LA, NR..B, NR..LB, NRS..R, NRS..LR, NRS..A, NRS..LA, NRS..B, NRS..LB	MK/MKS 8501 A	PMK 85-8	90	67
	SRG	15	SRG..A, SRG..V	MK/MKS 1501 E		24
20		SRG..A, SRG..LA, SRG..V, SRG..LV	MK/MKS 2001 E		30	8
25		SRG..C, SRG..LC	MK/MKS 2501 E	PMK 25-5	36	48
		SRG..R, SRG..LR	MK/MKS 2501 E	PMK 25-9	40	
30		SRG..C, SRG..LC	MK/MKS 3001 E		42	15
		SRG..R, SRG..LR	MK/MKS 3001 E	PMK 30-3	45	
35		SRG..C, SRG..LC	MK/MKS 3501 E		48	35
		SRG..R, SRG..LR	MK/MKS 3501 E	PMK 35-7	55	
45		SRG..C, SRG..LC	MK/MKS 4501 E		60	42
		SRG..R, SRG..LR	MK/MKS 4501 E	PMK 45-10	70	
55		SRG..C, SRG..LC	MK/MKS 5501 F	PMK 55-7	70	40
	SRG..R, SRG..LR	MK/MKS 5501 F	PMK 55-17	80		
65	SRG..LC, SRG..LV	MK/MKS 6501 F	PMK 65-15	90	39	
85	SRG..LC	Ⓢ		110	Ⓢ	
HCR	15	HCR 15A +60/150R	MK/MKS 1501/300		24	64
		HCR 15A +60/300R				
		HCR 15A +60/400R				
	25	HCR 25A +60/500R	MK/MKS 2501/1000		36	65
		HCR 25A +60/750R				
		HCR 25A +60/1000R				
	35	HCR 35A +60/600R	MK/MKS 3501/1000		48	66
		HCR 35A +60/800R				
		HCR 35A +60/1000R				
	45	HCR 45A +60/800R	MK/MKS 4501/1000		60	51
		HCR 45A +60/1000R				
		HCR 45A +60/1200R				
	65	HCR 45A +60/1600R	MK/MKS 6501/1000		90	68
		HCR 65A +60/1000R				
		HCR 65A +60/1500R				
HCR 65A +45/2000R						
		HCR 65A +45/2500R				
		HCR 65A +30/3000R				

Produttore guida

The Mark of Linear Motion

MK/MKS

*1 Serve a completamento della tabella quote e del data sheet

Per la spiegazione dei codici numerici vedere a pagina 10

Produttore guida
Rexroth
Bosch Group

Tipo guida	Grandezza guida	Tipo carrello	Codice articolo	Piastra di adattamento (per compensazione altezze)	Quota D [mm] *1	Tabella quote (pagina 48 e 49)
R1605, R1606, R1607, R1608, R1645, R1647, R2045, R2047	15	R1622, R1623, R1631, R1632, R1651, R1653, R1661, R1662, R1665, R1666, R2001, R2002, R2011, R2012, R2000, R2010	MK/MKS 1505 AK		24	2
		R1621	MK/MKS 1505 AK	PMK 15-4	28	
	20	R1622, R1623, R1631, R1632, R1651, R1653, R1661, R1662, R1665, R1666, R2001, R2002, R2011, R2012, R2000, R2010	MK/MKS 2005 AK		30	8
		R1621, R1624	MK/MKS 2005 AK	PMK 25-4	40	
	25	R1622, R1623, R1631, R1632, R1651, R1653, R1661, R1662, R1665, R1666, R2001, R2002, R2011, R2012, R2000, R2010	MK/MKS 2505 AK		36	14
		R1621, R1624	MK/MKS 2505 AK	PMK 25-4	40	
	30	R1622, R1623, R1631, R1632, R1651, R1653, R1661, R1662, R1665, R1666, R2001, R2002, R2011, R2012, R2000, R2010	MK/MKS 3005 AK		42	71
		R1621, R1624	MK/MKS 3005 AK	PMK 30-3	45	
	35	R1622, R1623, R1631, R1632, R1651, R1653, R1661, R1662, R1665, R1666, R2001, R2002, R2011, R2012, R2000, R2010	MK/MKS 3505 AK		48	35
		R1621, R1624	MK/MKS 3505 AK	PMK 35-7	55	
	45	R1622, R1623, R1651, R1653	MK/MKS 4505 AK		60	42
		R1621, R1624	MK/MKS 4505 AK	PMK 45-10	70	
	55	R1622, R1623, R1651, R1653	MK/MKS 5505 AK		70	50
		R1621, R1624	MK/MKS 5505 AK	PMK 55-10	80	
	65	R1622, R1623, R1651, R1653	MK/MKS 6505 AK		90	59
R1621, R1624		MK/MKS 6505 AK				
R1675, R1676 R1677	20	R1671, R1672	MK/MKS 2005 KB		27	58
	25	R1671, R1672	MK/MKS 2505 KB		35	41
	35	R1671	MK/MKS 3505 KB		50	63
R1805, R1806, R1807, R1808, R1845, R1846, R1847	25	R1851, R1853	MK/MKS 2505 AR		36	14
		R1821, R1824	MK/MKS 2505 AR	PMK 25-4	40	
	35	R1851, R1853	MK/MKS 3505 AR		48	35
		R1821, R1824	MK/MKS 3505 AR	PMK 35-7	55	
	45	R1851, R1853	MK/MKS 4505 AR		60	42
		R1821, R1824	MK/MKS 4505 AR	PMK 45-10	70	
	55	R1851, R1853	MK/MKS 5505 AR		70	50
		R1821, R1824	MK/MKS 5505 AR	PMK 55-10	80	
65	R1824, R1851, R1853	MK/MKS 6505 AR		90	59	

Produttore guida

SCHNEEBERGER
LINEAR TECHNOLOGY

MRS	25	MRW..A, MRW..B	MK/MKS 2503 MR		36	14
		MRW..C, MRW..D, MRW..E	MK/MKS 2503 MR	PMK 25-4	40	
	35	MRW..A, MRW..B	MK/MKS 3503 MR		48	35
		MRW..C, MRW..D, MRW..E	MK/MKS 3503 MR	PMK 35-7	55	
	45	MRW..A, MRW..B	MK/MKS 4503 MR		60	42
		MRW..C, MRW..D	MK/MKS 4503 MR	PMK 45-10	70	
	55	MRW..A, MRW..B	MK/MKS 5503 MR		70	50
		MRW..C, MRW..D	MK/MKS 5503 MR	PMK 55-10	80	
65	MRW..B, MRW..D	MK/MKS 6503 MR		90	59	
BMS	15	BMW..A, BMW..F, BMW..C	MK/MKS 1503 BM		24	2
		BMW..A, BMW..B, BMW..C, BMW..D	MK/MKS 1503 BM	PMK 15-4	28	
	20	BMW..A, BMW..B, BMW..C, BMW..D	MK/MKS 2003 BM		30	8
		BMW..A, BMW..B, BMW..F, BMW..G	MK/MKS 2503 B		36	14
	25	BMW..C, BMW..D, BMW..E	MK/MKS 2503 B	PMK 25-4/02	40	
		BMW..A, BMW..B, BMW..F, BMW..G	MK/MKS 3003 BM		42	27
	30	BMW..C, BMW..D, BMW..E	MK/MKS 3003 BM	PMK 30-3	45	
		BMW..A, BMW..B, BMW..F, BMW..G	MK/MKS 3503 BM		48	35
	35	BMW..C, BMW..D, BMW..E	MK/MKS 3503 BM	PMK 35-7	55	
		BMW..A, BMW..B	MK/MKS 4503 BM		60	42
	45	BMW..C, BMW..D	MK/MKS 4503 BM	PMK 45-10	70	

*1 Serve a completamento della tabella quote e del data sheet

Per la spiegazione dei codici numerici vedere a pagina 10

Tipo guida	Grandezza guida	Tipo carrello	Codice articolo	Piastra di adattamento	Quota D [mm] *1	Tabella quote (Pagina 48 e 49)
LWH	12	LWHT, LWHT..SL	MK/MKS 1201 A		19	69
		LWHD..SL, LWHD, LWHD..SL, LWHDG..SL	MK/MKS 1201 A		20	70
	15	LWH..B, LWH..SL, LWH..M, LWHT..B, LWHT..SL, LWHT..M, LWHS..B, LWHS..SL, LWHS..M	MK/MKS 1501 A		24	1
		LWHD..B, LWHD..M, LWHY	MK/MKS 1501 A	PMK 15-4	28	
	20	LWH..B, LWH..SL, LWH..M, LWHG, LWHT..B, LWHT..SL, LWHT..M, LWHTG, LWHS..B, LWHS..SL, LWHS..M, LWHSG, LWHY	MK/MKS 2001 A		30	9
		LWH..B, LWH..SL, LWH..M, LWHG, LWHT..B, LWHT..SL, LWHT..M, LWHTG, LWHS..B, LWHS..SL, LWHS..M, LWHSG	MK/MKS 2501 A		36	19
	25	LWH..B, LWH..SL, LWH..M, LWHG, LWHT..B, LWHT..SL, LWHT..M, LWHTG, LWHS..B, LWHS..SL, LWHS..M, LWHSG	MK/MKS 2501 A	PMK 25-4	40	
		LWHD..B, LWHD..M, LWHDG, LWHY	MK/MKS 3001 A		42	29
	30	LWH..B, LWH..SL, LWH..M, LWHG, LWHT..B, LWHT..SL, LWHT..M, LWHTG, LWHS..B, LWHS..SL, LWHS..M, LWHSG	MK/MKS 3001 A	PMK 30-3	45	
		LWHD..B, LWHD..M, LWHDG, LWHY	MK/MKS 3501 A		48	38
	35	LWH..B, LWH..M, LWHG, LWHT..B, LWHT..M, LWHTG	MK/MKS 3501 A	PMK 35-7	55	
		LWHD..B, LWHD..M, LWHDG, LWHY	MK/MKS 4501 A		60	45
	45	LWH..B, LWH..M, LWHG, LWHT..B, LWHT..M, LWHTG	MK/MKS 4501 A	PMK 45-2	70	
		LWHD..B, LWHD..M, LWHDG, LWHY	MK/MKS 4501 A	PMK 45-12	70	
55	LWH..B, LWHG, LWHT..B, LWHTG	MK/MKS 5501 A		70	56	
	LWHD..B, LWHDG, LWHY	MK/MKS 5501 A	PMK 55-10	80		
65	LWH..B, LWHG, LWHT..B, LWHTG, LWHD..B, LWHDG, LWHY	MK/MKS 6501 A		90	60	
	LWHG, LWHTG	Ⓢ		110	Ⓢ	
MH	12	MHT, MHT..SL	MK/MKS 1201 A*2		19	69
		MHDC..SL, MHD, MHD..SL, MHDG..SL	MK/MKS 1201 A*2		20	70
	15	MH, MHT, MHS	MK/MKS 1501 A		24	1
		MHD	MK/MKS 1501 A	PMK 15-4	28	
	20	MH, MHG, MHT, MHTG, MHS, MHS	MK/MKS 2001 A		30	9
		MH, MHG, MHT, MHTG, MHS, MHS	MK/MKS 2501 A		36	19
	25	MHD, MHDG	MK/MKS 2501 A	PMK 25-4	40	
		MH, MHG, MHT, MHTG, MHS, MHS	MK/MKS 3001 A		42	29
	30	MHD, MHDG	MK/MKS 3001 A	PMK 30-3	45	
		MH, MHG, MHT, MHTG	MK/MKS 3501 A		48	38
	35	MHD, MHDG	MK/MKS 3501 A	PMK 35-7	55	
		MH, MHG, MHT, MHTG	MK/MKS 4501 A		60	45
	45	MHD, MHDG	MK/MKS 4501 A	PMK 45-12	70	
		MH, MHG, MHT, MHTG	MK/MKS 4501 A	PMK 45-12	70	
LRX	12	LRXC, LRX, LRXG	MK/MKS 1201 A*2		19	69
		LRXDC, LRXDC..SL, LRXD, LRXD..SL, LRXDG, LRXDG..SL	MK/MKS 1201 A*2		20	70
	15	LRXC, LRX, LRXG, LRXSC, LRXS, LRXSG	MK/MKS 1510 B		24	2
		LRXDC, LRXDC..SL, LRXD, LRXD..SL, LRXDG, LRXDG..SL	MK/MKS 1510 B	PMK 15-4	28	
	20	LRXC, LRX, LRXG, LRXSC, LRXS, LRXSG	MK/MKS 2010 B		30	8
		LRXDC, LRXDC..SL, LRXD, LRXD..SL, LRXDG, LRXDG..SL	MK/MKS 2010 B	PMK 20-4	34	
	25	LRXC, LRX, LRXG, LRXSC, LRXS, LRXSG	MK/MKS 2501 A		36	19
		LRXDC, LRXDC..SL, LRXD, LRXD..SL, LRXDG, LRXDG..SL	MK/MKS 2501 A		40	21
	30	LRXC, LRX, LRXG, LRXSC, LRXS, LRXSG	MK/MKS 3001 A		42	29
		LRXDC, LRXDC..SL, LRXD, LRXD..SL, LRXDG, LRXDG..SL	MK/MKS 3001 A		45	30
	35	LRXC, LRX, LRXG	MK/MKS 3501 A		48	38
		LRXDC, LRXD, LRXDG	MK/MKS 3501 A	PMK 35-7	55	
	45	LRXC, LRX, LRXG	MK/MKS 4501 A		60	46
		LRXDC, LRXD, LRXDG	MK/MKS 4501 A	PMK45-10	70	
55	LRXC, LRX, LRXG	MK/MKS 5501 A		70	56	
	LRXDC, LRXD, LRXDG	MK/MKS 5501 A	PMK 55-10	80		
65	LRXC, LRX, LRXG, LRXDC, LRXD, LRXDG	MK/MKS 6505 AK	PMK 65-2	90	10	
	LRX, LRXG	Ⓢ		110	Ⓢ	
100	LRXG	Ⓢ		120	Ⓢ	

Produttore guida
IKO

MK/MKS

*1 Serve a completamento della tabella quote e del data sheet

*2 Questa tabella vale soltanto in caso di utilizzo della rotaia senza nastro di protezione!

Per la spiegazione dei codici numerici vedere a pagina 10

Produttore guida
IKO

Tipo guida	Grandezza guida	Tipo carrello	Codice articolo	Piastra di adattamento [per compensazione altezza]	Quota D [mm] *1	Tabella quote [pagina 48 e 49]
MX	15	MXC, MX, MXG, MXSC, MXS, MXSG	MK/MKS 1510 B		24	2
		MXDC, MXD, MXDG	MK/MKS 1510 B	PMK 15-4	28	
	20	MXC, MX, MXG, MXL, MXSC, MXS, MXSG, MXSL	MK/MKS 2010 B		30	8
		MXDC, MXD, MXDG, MXDL	MK/MKS 2010 B	PMK 20-4	34	
	25	MXC, MX, MXG, MXL, MXSC, MXS, MXSG, MXSL	MK/MKS 2501 A		36	19
		MXDC, MXD, MXDG, MXDL	MK/MKS 2501 A		40	21
	30	MXC, MX, MXG, MXL, MXSC, MXS, MXSG, MXSL	MK/MKS 3001 A		42	29
		MXDC, MXD, MXDG, MXDL	MK/MKS 3001 A		45	30
	35	MXN, MXNG, MXNS, MXNSG	⊗		44	⊗
		MXC, MX, MXG, MXL	MK/MKS 3501 A		48	38
45	MXN, MXNG, MXNS, MXNSG	⊗		52	⊗	
	MXC, MX, MXG, MXL	MK/MKS 4501 A		60	46	
55	MXN, MXNG, MXNS, MXNSG	⊗		63	⊗	
	MXC, MX, MXG	MK/MKS 5501 A		70	56	
65	MXC, MX, MXG	MK/MKS 6505 AK		90	10	
				PMK 65-2		
LWE	15	LWE..Q, LWET..Q, LWES..Q, LWEC, LWEC..SL, LWE, LWE..SL, LWEG, LWEG..SL, LWETC, LWETC..SL, LWET, LWET..SL, LWETG, LWETG..SL, LWESC, LWESC..SL, LWES, LWES..SL, LWESG, LWESG..SL	MK/MKS 1501 A		24	1
	20	LWE..Q, LWET..Q, LWES..Q, LWEC, LWEC..SL, LWE, LWE..SL, LWEG, LWEG..SL, LWETC, LWETC..SL, LWET, LWET..SL, LWETG, LWETG..SL, LWESC, LWESC..SL, LWES, LWES..SL, LWESG, LWESG..SL	MK/MKS 2001 A		28	7
	25	LWE..Q, LWET..Q, LWES..Q, LWEC, LWEC..SL, LWE, LWE..SL, LWEG, LWEG..SL, LWETC, LWETC..SL, LWET, LWET..SL, LWETG, LWETG..SL, LWESC, LWESC..SL, LWES, LWES..SL, LWESG, LWESG..SL	MK/MKS 2501 A		33	17
30	LWE..Q, LWET..Q, LWES..Q, LWEC, LWEC..SL, LWE, LWE..SL, LWEG, LWEG..SL, LWETC, LWETC..SL, LWET, LWET..SL, LWETG, LWETG..SL, LWESC, LWESC..SL, LWES, LWES..SL, LWESG, LWESG..SL	MK/MKS 3001 A		42	29	
35	LWE..Q, LWET..Q, LWES..Q, LWEC, LWE, LWETC, LWET, LWESC, LWES	MK/MKS 3501 A		48	38	
45	LWE, LWET, LWES	MK/MKS 4501 A		60	46	
ME	15	MEC, MEC..SL, ME, ME..SL, MEG, MEG..SL, METC, METC..SL, MET, MET..SL, METG, METG..SL, MESC, MESC..SL, MES, MES..SL, MESG, MESG..SL, MH, MHT, MHS	MK/MKS 1501 A		24	1
		MHD	MK/MKS 1501 A	PMK 15-4	28	
	20	MEC, MEC..SL, ME, ME..SL, MEG, MEG..SL, METC, METC..SL, MET, MET..SL, METG, METG..SL, MESC, MESC..SL, MES, MES..SL, MESG, MESG..SL	MK/MKS 2001 A		28	7
		MH, MHG, MHT, MHTG, MHS, MHSG	MK/MKS 2001 A		30	9
	25	MEC, MEC..SL, ME, ME..SL, MEG, MEG..SL, METC, METC..SL, MET, MET..SL, METG, METG..SL, MESC, MESC..SL, MES, MES..SL, MESG, MESG..SL	MK/MKS 2501 A		33	17
		MH, MHG, MHT, MHTG, MHS, MHSG	MK/MKS 2501 A	PMK 25-2	36	18
	30	MHD, MHDG	MK/MKS 2501 A	PMK 25-6	40	
		MEC, MEC..SL, ME, ME..SL, MEG, MEG..SL, METC, METC..SL, MET, MET..SL, METG, METG..SL, MESC, MESC..SL, MES, MES..SL, MESG, MESG..SL, MH, MHG, MHT, MHTG, MHS, MHSG	MK/MKS 3001 A		42	29
	35	MHD, MHDG	MK/MKS 3001 A	PMK 30-3	45	
		MEC, ME, METC, MET, MESC, MES, MH, MHG, MHT, MHTG	MK/MKS 3501 A		48	38
	45	MHD, MHDG	MK/MKS 3501 A	PMK 35-7	55	
		ME, MET, MES, MH, MHG, MHT, MHTG	MK/MKS 4501 A		60	46
		MHD, MHDG	MK/MKS 4501 A	PMK 45-10	70	

*1 Serve a completamento della tabella quote e del data sheet

Per la spiegazione dei codici numerici vedere a pagina 10

Tipo guida	Grandezza guida	Tipo carrello	Codice articolo	Piastra di adattamento	Quota D [mm] *1	Tabella quote (Pagina 48 e 49)	
TKD (KUE)	15	KWE	MK/MKS 1501 A		24	1	
		KWE..-H	MK/MKS 1501 A	PMK 15-4	28		
	20	KWE, KWE..-H	MK/MKS 2001 A		30	9	
		KWE..-H	MK/MKS 2501 A	PMK 25-4	36	16	
	30	KWE	MK/MKS 2501 A	PMK 25-8	40		
		KWE..-H	MK/MKS 3001 A	PMK 30-2	42	28	
	35	KWE	MK/MKS 3001 A	PMK 30-5	45		
KWE..-H		MK/MKS 3501 A	PMK 35-8	48	33		
		KWE..-H	MK/MKS 3501 A	PMK 35-15	55		
TKVD (KUVE)	15	KWVE..-B, KWVE..-B-EC, KWVE..-B-ESC, KWVE..-B-S	MK/MKS 1502 K		24	1	
		KWVE..-B-H	MK/MKS 1502 K	PMK 15-4	28		
	20	KWVE..-B, KWVE..-B-L, KWVE..-B-S, KWVE..-B-SL, KWVE..-B-H	MK/MKS 2002 K		30	9	
		KWVE..-B-N, KWVE..-B-NL, KWVE..-B-SN, KWVE..-B-SNL	MK/MKS 2002 K		27	6	
		KWVE..-B-EC, KWVE..-B-ESC	MK/MKS 2002 K		28	7	
	25	KWVE..-B, KWVE..-B-L, KWVE..-B-S, KWVE..-B-SL, KWVE..-B-HS, KWVE..-B-S-HS	MK/MKS 2502 K	PMK 25-2	36	18	
		KWVE..-B-EC, KWVE..-B-ESC	MK/MKS 2502 K		33	17	
		KWVE..-B-H, KWVE..-B-HL, KWVE..-B-H-HS	MK/MKS 2502 K	PMK 25-6	40	18	
	30	KWVE..-B, KWVE..-B-EC, KWVE..-B-L, KWVE..-B-ESC, KWVE..-B-S, KWVE..-B-SL	MK/MKS 3002 K		42	29	
		KWVE..-B-N, KWVE..-B-NL, KWVE..-B-SN, KWVE..-B-SNL	MK/MKS 3002 K		38	26	
		KWVE..-B-H, KWVE..-B-HL	MK/MKS 3002 K	PMK 30-3	45	29	
	35	KWVE..-B, KWVE..-B-EC, KWVE..-B-L, KWVE..-B-ESC, KWVE..-B-S, KWVE..-B-SL	MK/MKS 3502 K		48	38	
		KWVE..-B-N, KWVE..-B-NL, KWVE..-B-SN, KWVE..-B-SNL	MK/MKS 3502 K		44	37	
		KWVE..-B-H, KWVE..-B-HL	MK/MKS 3502 K	PMK 35-11	55		
	45	KWVE..-B, KWVE..-B-EC, KWVE..-B-L, KWVE..-B-ESC, KWVE..-B-S, KWVE..-B-SL	MK/MKS 4502 K		60	46	
		KWVE..-B-N, KWVE..-B-NL, KWVE..-B-SN, KWVE..-B-SNL	MK/MKS 4502 E		52	54	
		KWVE..-B-H, KWVE..-B-HL	MK/MKS 4502 K	PMK 45-10	70	46	
	55	KWVE..-B, KWVE..-B-L, KWVE..-B-S, KWVE..-B-SL	MK/MKS 5502 K		70	56	
	TKSD (KUSE)	20	KWSE, KWSE..-L, KWSE..-H, KWSE..-HL	MK/MKS 2001 A		30	9
			KWSE, KWSE..-L	MK/MKS 2501 A		36	19
25		KWSE..-H, KWSE..-HL	MK/MKS 2501 A	PMK 25-4	40		
		KWSE, KWSE..-L	MK/MKS 3001 A		42	29	
30		KWSE..-H, KWSE..-HL	MK/MKS 3001 A	PMK 30-3	45		
		KWSE, KWSE..-L	MK/MKS 3501 A		48	38	
45	KWSE, KWSE..-L	MK/MKS 4501 A		60	46		
TKVD - W (KUVE-W)	15	KWVE..-W	MK/MKS 1502 KB*		21	57	
	20	KWVE..-W, KWVE..-WL	MK/MKS 2002 KB		27	13	
	25	KWVE..-W, KWVE..-WL	MK/MKS 2502 KB		35	49	
	30	KWVE..-W	MK/MKS 3002 KB		42	3	
	35	KWVE..-WL	MK/MKS 3502 KB		50	62	
TSX - E (RUE)	25	RWU..-D-FE, RWU..-D-OE, RWU..-D-L-FE, RWU..-D-L-OE	MK/MKS 2502 R*	PMK 25-2	36	18	
		RWU..-D-H-FE, RWU..-D-H-OE, RWU..-D-HL-FE, RWU..-D-HL-OE	MK/MKS 2502 R*	PMK 25-6	40		
	35	RWU..-E, RWU..-E-L	MK/MKS 3502 R/02*		48	35	
		RWU..-E-H, RWU..-E-HL	MK/MKS 3502 R/02*	PMK 35-7	55		
	45	RWU..-E, RWU..-E-L	MK/MKS 4502 R*	PMK 45-2	60	45	
		RWU..-E-H, RWU..-E-HL	MK/MKS 4502 R*	PMK 45-12	70		
	55	RWU..-E, RWU..-E-L	MK/MKS 5502 R*		70	50	
		RWU..-E-H, RWU..-E-HL	MK/MKS 5502 R*	PMK 55-10	80		
	65	RWU..-E, RWU..-E-L	MK/MKS 6502 R*		90	60	
		RWU..-E-H, RWU..-E-HL	MK/MKS 6502 R*	PMK 65-10	100		

Produttore guida



MK/MKS

* Raccordo PLUS non possibile

*1 Serve a completamento della tabella quote e del data sheet

Per la spiegazione dei codici numerici vedere a pagina 10

Produttore guida
NSK

Tipo guida	Grandezza guida	Tipo carrello	Codice articolo	Piastra di adattamento (per compensazione altezze)	Quota D [mm] *1	Tabella quote (pagina 48 e 49)	
LH	15	LAH..EMZ, LAH..GMZ	MK/MKS 1501 A		24	1	
		LAH..ANZ, LAH..BNZ	MK/MKS 1501 A	PMK 15-4	28		
	20	LAH..EMZ, LAH..GMZ, LAH..ANZ, LAH..BNZ	MK/MKS 2001 A		30	9	
		LAH..EMZ, LAH..GMZ, LAH..ALZ, LAH..BLZ	MK/MKS 2501 A		36	19	
	30	LAH..ANZ, LAH..BNZ	MK/MKS 2501 A	PMK 25-4	40		
		LAH..EMZ, LAH..GMZ, LAH..ALZ, LAH..BLZ	MK/MKS 3001 A		42	29	
		LAH..ANZ, LAH..BNZ	MK/MKS 3001 A		45	30	
	35	LAH..EMZ, LAH..GMZ, LAH..ALZ, LAH..BLZ	MK/MKS 3501 A		48	38	
		LAH..ANZ, LAH..BNZ	MK/MKS 3501 A	PMK 35-7	55		
	45	LAH..EMZ, LAH..GMZ	MK/MKS 4501 A		60	46	
		LAH..ANZ, LAH..BNZ	MK/MKS 4501 A	PMK 45-10	70		
	55	LAH..EMZ, LAH..GMZ	MK/MKS 5501 A		70	56	
LAH..ANZ, LAH..BNZ		MK/MKS 5501 A	PMK 55-10	80			
65	LAH..EMZ, LAH..GMZ, LAH..ANZ, LAH..BNZ	MK/MKS 6501 A		90	60		
SH	15	SAH..EMZ, SAH..GMZ	MK/MKS 1501 A		24	1	
		SAH..ANZ, SAH..BNZ	MK/MKS 1501 A	PMK 15-4	28		
	20	SAH..EMZ, SAH..GMZ, SAH..ANZ, SAH..BNZ	MK/MKS 2001 A		30	9	
		SAH..EMZ, SAH..GMZ, SAH..ALZ, SAH..BLZ	MK/MKS 2501 A		36	19	
	30	SAH..ANZ, SAH..BNZ	MK/MKS 2501 A	PMK 25-4	40		
		SAH..EMZ, SAH..GMZ, SAH..ALZ, SAH..BLZ	MK/MKS 3001 A		42	29	
		SAH..ANZ, SAH..BNZ	MK/MKS 3001 A		45	30	
	35	SAH..EMZ, SAH..GMZ, SAH..ALZ, SAH..BLZ	MK/MKS 3501 A		48	38	
		SAH..ANZ, SAH..BNZ	MK/MKS 3501 A	PMK 35-7	55		
	LS	15	LAS..JMZ, LAS..EMZ, LAS..CLZ, LAS..ALZ	MK/MKS 1501 A		24	1
		20	LAS..JMZ, LAS..EMZ, LAS..CLZ, LAS..ALZ	MK/MKS 2001 A		28	7
		25	LAS..JMZ, LAS..EMZ, LAS..CLZ, LAS..ALZ	MK/MKS 2501 A		33	17
30		LAS..JMZ, LAS..EMZ, LAS..CLZ, LAS..ALZ	MK/MKS 3001 A		42	29	
35		LAS..JMZ, LAS..EMZ, LAS..CLZ, LAS..ALZ	MK/MKS 3501 A	PMK 35-4	48	37	
SS	15	SAS..JMZ, SAS..EMZ, SAS..CLZ, SAS..ALZ	MK/MKS 1501 A		24	1	
	20	SAS..JMZ, SAS..EMZ, SAS..CLZ, SAS..ALZ	MK/MKS 2001 A		28	7	
	25	SAS..JMZ, SAS..EMZ, SAS..CLZ, SAS..ALZ	MK/MKS 2501 A		33	17	
	30	SAS..JMZ, SAS..EMZ, SAS..CLZ, SAS..ALZ	MK/MKS 3001 A		42	29	
	35	SAS..JMZ, SAS..EMZ, SAS..CLZ, SAS..ALZ	MK/MKS 3501 A	PMK 35-4	48	37	
LW	17	LAW..ELZ	MK/MKS 1701 B		17	11	
	21	LAW..ELZ	MK/MKS 2101 B★		21	24	
	27	LAW..ELZ	MK/MKS 2701 B★		27	25	
	35	LAW..ELZ	MK/MKS 3501 B		35	49	
	50	LAW..ELZ	MK/MKS 5001 B		50	62	
RA	15	RA..AL, RA..BL, RA..EM, RA..GM	MK/MKS 1504 F		24	2	
		RA..AN, RA..BN	MK/MKS 1504 F	PMK 15-4	28		
	20	RA..EM, RA..GM, RA..AN, RA..BN	MK/MKS 2004 F		30	8	
		RA..AL, RA..BL, RA..EM, RA..GM	MK/MKS 2505 AR		36	14	
	30	RA..AN, RA..BN	MK/MKS 2505 AR	PMK 25-4	40		
		RA..AL, RA..BL, RA..EM, RA..GM	MK/MKS 3004 F		42	15	
	35	RA..AN, RA..BN	MK/MKS 3004 F	PMK 30-3	45		
		RA..AL, RA..BL, RA..EM, RA..GM	MK/MKS 3504 F		48	35	
	45	RA..AN, RA..BN	MK/MKS 3504 F	PMK 35-7	55		
		RA..AL, RA..BL, RA..EM, RA..GM	MK/MKS 4504 F		60	42	
	55	RA..AN, RA..BN	MK/MKS 4504 F	PMK 45-10	70		
		RA..AL, RA..BL, RA..EM, RA..GM	MK/MKS 5504 F	PMK 55-3	70	22	
	65	RA..AN, RA..BN	MK/MKS 5504 F	PMK 55-13	80		
		RA..EM, RA..GM, RA..AN, RA..BN	MK/MKS 6504 F	PMK 65-12	90	34	

* Raccordo PLUS non possibile

*1 Serve a completamento della tabella quote e del data sheet

Per la spiegazione dei codici numerici vedere a pagina 10

Tipo guida	Grandezza guida	Tipo carrello	Codice articolo	Piastra di adattamento	Quota D [mm] *1	Tabella quote (Pagina 48 e 49)
HGR..R, HGR..T	15	HGW..CC, HGL..CA, QHW..CC	MK/MKS 1501 A		24	1
		HGH..CA, QHH..CA	MK/MKS 1501 A	PMK 15-4	28	
	20	HGW..CC, HGW..HC, HGH..CA, HGH..HA, QHW..CC, QHW..HC, QHH..CA, QHH..HA	MK/MKS 2001 A		30	9
		25	HGW..CC, HGW..HC, HGL..CA, HGL..HA, QHW..CC, QHW..HC	MK/MKS 2501 A		36
	HGH..CA, HGH..HA, QHH..CA, QHH..HA		MK/MKS 2501 A	PMK 25-4	40	
	30	HGW..CC, HGW..HC, HGL..CA, HGL..HA, QHW..CC, QHW..HC	MK/MKS 3001 A		42	29
		HGH..CA, HGH..HA, QHH..CA, QHH..HA	MK/MKS 3001 A	PMK 30-3	45	
	35	HGW..CC, HGW..HC, HGL..CA, HGL..HA, QHW..CC, QHW..HC	MK/MKS 3501 A		48	38
		HGH..CA, HGH..HA, QHH..CA, QHH..HA	MK/MKS 3501 A	PMK 35-7	55	
	45	HGW..CC, HGW..HC, HGL..CA, HGL..HA QHW..CC, QHW..HC	MK/MKS 4501 A	PMK 45-2	60	45
HGH..CA, HGH..HA, QHH..CA, QHH..HA		MK/MKS 4501 A	PMK 45-12	70		
55	HGW..CC, HGW..HC, HGL..CA, HGL..HA HGH..CA, HGH..HA	MK/MKS 5501 A		70	56	
	MK/MKS 5501 A	PMK 55-10	80			
65	HGW..CC, HGW..HC, HGH..CA, HGH..HA	MK/MKS 6501 A		90	60	
EGR..R, EGR..U, EGR..T	15	EGH..SA, EGH..CA, EGW..SC, EGW..CC QEH..SA, QEH..CA, QEW..SC, QEW..CC	MK/MKS 1501 A		24	1
		EGH..SA, EGH..CA, EGW..SC, EGW..CC QEH..SA, QEH..CA, QEW..SC, QEW..CC	MK/MKS 2001 A		28	7
	25	EGH..SA, EGH..CA, EGW..SC, EGW..CC QEH..SA, QEH..CA, QEW..SC, QEW..CC	MK/MKS 2501 A	PMK 25-2	33	20
		EGH..SA, EGH..CA, EGW..SC, EGW..CC QEH..SA, QEH..CA, QEW..SC, QEW..CC	MK/MKS 3001 A	PMK 30-2	42	28
	35	EGH..SA, EGH..CA, EGW..SC, EGW..CC	Ⓢ		48	Ⓢ
RG..T	15	RGW..CC	Ⓢ		24	Ⓢ
		RGH..CA	Ⓢ		28	
	20	RGW..CC, RGW..HC	Ⓢ		30	Ⓢ
		RGH..CA, RGH..HA	Ⓢ		34	
	25	RGW..CC, RGW..HC	MK/MKS 2512 F		36	14
		RGH..CA, RGH..HA	MK/MKS 2512 F	PMK 25-4	40	
	30	RGW..CC, RGW..HC	MK/MKS 3012 F		42	15
		RGH..CA, RGH..HA	MK/MKS 3012 F	PMK 30-3	45	
	35	RGW..CC, RGW..HC	MK/MKS 3512 F		48	35
		RGH..CA, RGH..HA	MK/MKS 3512 F	PMK 35-7	55	
45	RGW..CC, RGW..HC	MK/MKS 4512 F		60	42	
	RGH..CA, RGH..HA	MK/MKS 4512 F	PMK 45-10	70		
55	RGW..CC, RGW..HC	MK/MKS 5501 F	PMK 55-6	70	12	
	RGH..CA, RGH..HA	MK/MKS 5501 F	PMK 55-16	80		
65	RGW..CC, RGW..HC, RGH..CA, RGH..HA	Ⓢ		90	Ⓢ	
WE	27	WEW..CC, WEH..CA	MK/MKS 2701 B*		27	25
	35	WEW..CC, WEH..CA	MK/MKS 3501 B		35	49

Produttore guida
HIWIN
Lineartechnologie

MK/MKS

* Raccordo PLUS non possibile

*1 Serve a completamento della tabella quote e del data sheet

Per la spiegazione dei codici numerici vedere a pagina 10

Produttore guida
ROLLON

Tipo guida	Grandezza guida	Tipo carrello	Codice articolo	Piastra di adattamento (per compensazione altezza)	Quota D [mm] *1	Tabella quote (pagina 48 e 49)
MRR	15	MRS, MRT..W, MRT..SW	MK/MKS 1501 A		24	1
		MRS..W	MK/MKS 1501 A	PMK 15-4	28	
	20	MRT..W, MRT..SW	MK/MKS 2001 A		28	7
		MRS, MRS..L, MRS..W, MRS..LW	MK/MKS 2001 A	PMK 20-2	30	
	25	MRT, MRT..S, MRT..W, MRT..SW, MRT..LW	Ⓢ		33	Ⓢ
		MRS, MRS..L, MRZ..W	MK/MKS 2501 A		36	19
		MRS..W, MRS..LW	MK/MKS 2501 A	PMK 25-4	40	
	30	MRS, MRS..L, MRT..W, MRT..SW, MRT..LW	MK/MKS 3001 A		42	29
		MRS..W, MRS..LW	MK/MKS 3001 A	PMK 30-3	45	
	35	MRS, MRS..L, MRT..W, MRT..SW, MRT..LW	MK/MKS 3501 A		48	38
		MRS..W, MRS..LW	MK/MKS 3501 A	PMK 35-7	55	
	45	MRS, MRS..L, MRT..W, MRT..LW	MK/MKS 4501 A		60	46
		MRS..W, MRS..LW	MK/MKS 4501 A	PMK 45-10	70	
	55	MCT..W, MCT..LW	Ⓢ		68	Ⓢ
		MCS, MCS..L	MK/MKS 5501 A		70	56
MCS..W, MCS..LW		MK/MKS 5501 A	PMK 55-10	80		

Produttore guida
NTN **SNR**

BG	15	BGCH..FN, BGCH..FL, BGCS..BS, BGCS..BN, BGCS..BL, BGXH..FN, BGXH..FL, BGXS..BS, BGXS..BN, BGXS..BL	MK/MKS 1501 A		24	1
		BGCH..BN, BGXH..BN	MK/MKS 1501 A	PMK 15-4	28	
	20	BGCS..BS, BGCS..BN, BGXS..BN, BGXS..BN	MK/MKS 2001 A		28	7
		BGCH..FN, BGCH..FL, BGCH..BN, BGCH..BL, BGXH..FN, BGXH..FL, BGXH..BN, BGXH..BL	MK/MKS 2001 A		30	9
	25	BGCS..BS, BGCS..BN, BGXS..BS, BGXS..BN	MK/MKS 2501 A		33	17
		BGCH..FN, BGCH..FL, BGCH..FE, BGCH..BN, BGCH..BL, BGCH..BE, BGXH..FN, BGXH..FL, BGXH..FE, BGXH..BN, BGXH..BL, BGXH..BE	MK/MKS 2501 A	PMK 25-2	36	18
		BGCH..BN, BGCH..BL, BGCH..BE, BGXH..BN, BGXH..BL, BGXH..BE	MK/MKS 2501 A	PMK 25-6	40	
	30	BGCH..FN, BGCH..FL, BGCH..FE, BGCS..BS, BGCS..BN, BGCS..BL, BGCS..BE, BGXH..FN, BGXH..FL, BGXH..FE, BGXS..BS, BGXS..BN, BGXS..BL, BGXS..BE	MK/MKS 3001 A		42	29
		BGCH..BN, BGCH..BL, BGCH..BE, BGXH..BN, BGXH..BL, BGXH..BE	MK/MKS 3001 A	PMK 30-3	45	
		BGCH..FN, BGCH..FL, BGCH..FE, BGCS..BS, BGCS..BN, BGCS..BL, BGCS..BE, BGXH..FN, BGXH..FL, BGXH..FE, BGXS..BS, BGXS..BN, BGXS..BL, BGXS..BE	MK/MKS 3501 A	PMK 35-4	48	37
	35	BGCH..BN, BGCH..BL, BGCH..BE, BGXH..BN, BGXH..BL, BGXH..BE	MK/MKS 3501 A	PMK 35-11	55	
		BGCH..FN, BGCH..FL, BGCH..FE, BGCS..BN, BGCS..BL, BGCS..BE, BGXH..FN, BGXH..FL, BGXH..FE, BGXS..BN, BGXS..BL, BGXS..BE	MK/MKS 4501 A	PMK 45-6	60	44
	45	BGCH..BN, BGCH..BL, BGCH..BE, BGXH..BN, BGXH..BL, BGXH..BE	MK/MKS 4501 A	PMK 45-16	70	
		BGCH..FN, BGCH..FL, BGCH..FE, BGCS..BN, BGCS..BL, BGCS..BE, BGXH..FN, BGXH..FL, BGXH..FE, BGXS..BN, BGXS..BL, BGXS..BE	MK/MKS 5501 A	PMK 55-7	70	4
	55	BGCH..BN, BGCH..BL, BGCH..BE, BGXH..BN, BGXH..BL, BGXH..BE	MK/MKS 5501 A	PMK 55-17	80	

*1 Serve a completamento della tabella quote e del data sheet

Per la spiegazione dei codici numerici vedere a pagina 10

Tipo guida	Grandezza guida	Tipo carrello	Codice articolo	Piastra di adattamento	Quota D [mm] *1	Tabella Quote (Pagina 48 e 49)
LLTH, LLTH..D4, LLTH..D6	15	LLTHC..SA, LLTHC..A, LLTHC..SU, LLTHC..U	MK/MKS 1501 A		24	1
		LLTHC..R	MK/MKS 1501 A	PMK 15-4	28	
	20	LLTHC..SA, LLTHC..A, LLTHC..LA, LLTHC..SU, LLTHC..U, LLTHC..LR	MK/MKS 2001 A		30	9
		25	LLTHC..SA, LLTHC..A, LLTHC..LA, LLTHC..SU, LLTHC..U, LLTHC..LU,	MK/MKS 2501 A		36
	LLTHC..R, LLTHC..LR		MK/MKS 2501 A	PMK 25-4	40	
	30	LLTHC..SA, LLTHC..A, LLTHC..LA, LLTHC..SU, LLTHC..U, LLTHC..LU,	MK/MKS 3001 A		42	29
		LLTHC..R, LLTHC..LR	MK/MKS 3001 A	PMK 30-3	45	
	35	LLTHC..SA, LLTHC..A, LLTHC..LA, LLTHC..SU, LLTHC..U, LLTHC..LU,	MK/MKS 3501 A	PMK 35-3	48	36
		LLTHC..R, LLTHC..LR	MK/MKS 3501 A	PMK 35-10	55	
	45	LLTHC..A, LLTHC..LA, LLTHC..U, LLTHC..LU,	MK/MKS 4501 A		60	46
LLTHC..R, LLTHC..LR		MK/MKS 4501 A	PMK 45-10	70		

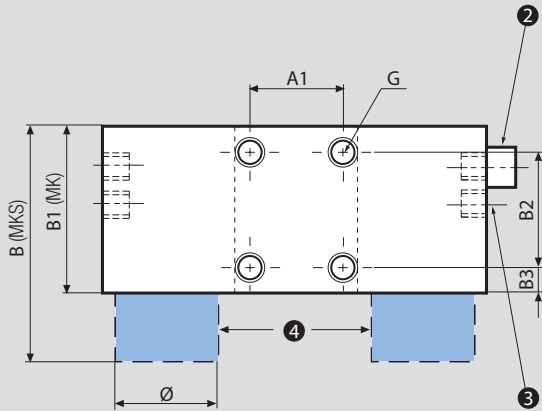
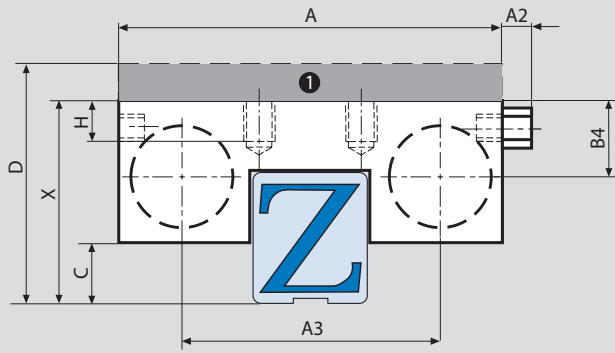
Produttore guida



MK/MKS

*1 Serve a completamento della tabella quote e del data sheet

Per la spiegazione dei codici numerici vedere a pagina 10



Attenzione: tener conto della quota C/ Ingombro d'interferenza

Gli attacchi sono predisposti sui due lati.
Essi possono essere scambiati secondo
le vostre esigenze.
Per l'azionamento basta un attacco.

- ❶ Piastra di adattamento PMK (Accessorio)
- ❷ Serie MK: filtro aria
MKS: attacco aria M5
- ❸ Serie MK: attacco aria M5
MKS: filtro aria / raccordo PLUS M5
- ❹ Sporgenze molle nell'MKS, non esistono nell'MK

Tabella quote	Forza di arresto [N] MK	Forza di arresto [N] MKS	A [mm]	A1 [mm]	A2 [mm]	A3 [mm]	B [mm]	B1 [mm]	B2 [mm]	B3 [mm]	B4 [mm]	C [mm]	X [mm]	G	H [mm]	Ø
1	650	400	55	15	6	34	58	39	15	15,5	12	2,5	24	M4	4,5	16
2	650	400	55	15	6	34	58	39	15	15,5	11,6	3,2	24	M4	4,5	16
3	1750	1050	142	22	5	110	68	39	22	8,5	20,5	7	42	M8	8	25
4	2250	1450	128	30	5	87	82	49	30	9,5	30,5	14	63	M10	18	30
5	650	400	60	15	5	39	68	59	25	12	10,5	4,5	24	M5	7	16
6	1000	600	66	20	6	43	61	39	20	5	14,4	1,5	27	M5	5,5	20
7	1000	600	66	20	6	43	61	39	20	5	14,4	2,5	28	M5	5,5	20
8	1000	600	66	20	5	43	61	39	20	9	15,5	3	30	M6	6	20
9	1000	600	66	20	6	43	61	39	20	5	14,4	4,5	30	M5	5,5	20
10	2250	1450	138	30	5	96,8	82	49	30	9,5	55	16,5	88	M10	20	30
11	460	250	70	15	5	50,6	63	48	15	11,5	8,3	1,2	17	M5	7,5	12
12	2250	1450	128	30	5	86,8	82	49	30	9,5	36,2	11	64	M10	15	30
13	1000	600	88	20	6	65	61	39	20	5	14,4	1,5	27	M5	5,5	20
14	1200	750	75	20	5	49	56	35	20	5	20	3,5	36	M6	8	22
15	1200	750	90	22	5	64	60	39	22	8,5	24,5	5	42	M8	9	22
16	1200	750	75	20	5	49	56	35	20	5	15,5	4	32	M6	8	22
17	1200	750	75	20	5	49	56	35	20	5	15,5	5	33	M6	8	22
18	1200	750	75	20	5	49	56	35	20	5	15,5	6	34	M6	8	22
19	1200	750	75	20	5	49	56	35	20	5	15,5	8	36	M6	8	22
20	1200	750	75	20	5	49	56	35	20	5	15,5	3,0	31	M6	8	22
21	1200	750	75	20	5	49	56	35	20	5	15,5	12	40	M6	8	22
22	2250	1450	128	30	5	86,8	82	49	30	9,5	40	10	67	M10	15	30
23	1200	750	75	20	5	49	65	54	20	12	12,5	5	30	M6	8	22
24	650	400	77	15	5	56	58	49	15	21,5	9,6	2	21	M5	5	16
25	1000	600	88	20	5	65	65	53	20	19,5	11,5	4	27	M6	6	20
26	1750	1050	90	22	5	58	68	39	22	8,5	20,5	3	38	M8	10	25
27	1750	1050	90	22	5	58	68	39	22	8,5	24	3,5	42	M8	9	25
28	1750	1050	90	22	5	58	68	39	22	8,5	20,5	5	40	M8	10	25
29	1750	1050	90	22	5	58	68	39	22	8,5	20,5	7	42	M8	10	25
30	1750	1050	90	22	5	58	68	39	22	8,5	20,5	10	45	M8	10	25
31	1750	1050	90	22	5	58	78	59	22	13,5	14	5	33	M8	8	25
32	1750	1050	96	20	5	64	73	54	20	10	15,5	8,5	38	M8	10	25
33	2000	1250	100	24	5	68	67	39	24	7,5	20,5	3,5	40	M8	10	28
34	2250	1450	138	30	5	96,8	82	49	30	9,5	43,7	14,5	78	M10	15	30
35	2000	1250	100	24	5	68	67	39	24	7,5	28	4	48	M8	10	28
36	2000	1250	100	24	5	68	67	39	24	7,5	20,5	8,5	45	M8	10	28
37	2000	1250	100	24	5	68	67	39	24	7,5	20,5	7,5	44	M8	10	28
38	2000	1250	100	24	5	68	67	39	24	7,5	20,5	11,5	48	M8	10	28
39	2250	1450	138	30	5	96,8	82	49	30	9,5	43,7	11,5	75	M10	15	30
40	2250	1450	128	30	5	86,8	82	49	30	9,5	36,2	10	63	M10	15	30
41	1200	750	120	50	5	94	56	35	20	5	20	2,5	35	M6	8	22
42	2250	1450	120	26	5	78,8	82	49	26	11,5	35,5	8	60	M10	15	30
43	2250	1450	120	26	5	78,8	82	49	26	11,5	26,8	8,5	52	M10	15	30
44	2250	1450	120	26	5	78,8	82	49	26	11,5	26,8	10,5	54	M10	15	30
45	2250	1450	120	26	5	78,8	82	49	26	11,5	26,8	14,5	58	M10	15	30
46	2250	1450	120	26	5	78,8	82	49	26	11,5	26,8	16,5	60	M10	15	30
47	2250	1450	138	30	5	97	82	49	30	9,5	42	16	75	M10	15	30
48	1200	750	75	20	5	49	56	35	20	5	15,3	3,5	31	M6	7,5	22
49	1200	750	121	50	5	95	57	36	20	5	17,5	5	35	M8	10	22
50	2250	1450	128	30	5	86,8	82	49	30	9,5	40	13	70	M10	15	30
51	1500	1000	130	26	5	88,8	82	49	26	11,5	26,8	16,5	60	M10	15	30
52	2250	1450	128	30	5	87	82	49	30	9,5	30,5	14,5	63	M10	18	30
53	2250	1450	128	30	5	87	82	49	30	9,5	30,5	15,5	64	M10	18	30
54	2250	1450	120	26	5	78,8	82	49	26	11,5	28,5	7	52	M10	13,8	30
55	2250	1450	128	30	5	87	82	49	30	9,5	30,5	19,5	68	M10	18	30
56	2250	1450	128	30	5	87	82	49	30	9,5	30,5	21,5	70	M10	18	30
57	650	400	77	15	5	56	58	39	15	21,5	9,6	2	21	M5	5	16
58	650	400	80	20	5	59	58	39	20	15,5	14	3,5	27	M4	4,5	16
59	2250	1450	138	30	5	96,8	82	49	30	9,5	55	16,5	90	M10	20	30
60	2250	1450	138	30	5	96,8	82	49	30	9,5	46	27	90	M10	15	30
61	1200	750	75	20	5	50,4	56	35	20	5	15,5	3	31	M6	8	22
62	2000	1250	156	60	5	124	67	39	20	9,5	29,5	4,5	50	M10	10	28
63	2000	1250	156	60	5	124	70	42	20	9,5	30	4,5	50	M10	10	28
64	650	400	64	15	6	45,4	58	39	15	15,5	12	2,5	24	M4	4,5	16
65	1200	750	84	20	5	58	56	35	20	5	15,5	8	36	M6	8	22
66	1200	750	114	24	5	82	67	39	24	7,5	20,5	11,5	48	M8	10	28
67	2250	1450	160	60	5	119	82	49	30	9,5	42	23	82	M10	15	30
68	2250	1450	150	30	5	108,8	82	49	30	9	47	26	90	M10	20	30
69	350	250	48,6	15	5	29,7	63	50	15	15,5	8,5	3	19	M4	4,5	12
70	350	250	48,6	15	5	29,7	63	50	15	15,5	8,5	4	20	M4	4,5	12
71	1750	1050	90	22	5	58	68	39	22	8,5	24,5	3,5	42	M8	9	25

MK/MKS