

YASKAWA

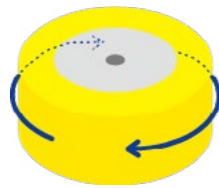
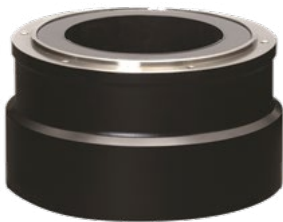
Direct Drive Servomotors

Sigma-7 200 V Series



Product Overview

SGM7D



Outer Rotor with Core

Ideal for applications that require high torque, high precision and high rigidity.

- High inertia
- Built-in high-resolution (24-bit) encoder
- A high allowable load moment of inertia ratio enables application to large loads
- Large center aperture provides more space for wiring connections

SGM7F



Inner Rotor with Core

Ideal for applications that require downsizing and a shorter takt time.

- Medium inertia
- Built-in high-resolution (24-bit) encoder
- Compact size with small rotor diameter
- Greater speed and torque stability enable high-speed, high-frequency positioning

SGM7E



Coreless, Inner Rotor

Ideal for applications that require smooth movement without speed fluctuations.

- Low inertia
- Built-in high-resolution (24-bit) encoder
- Smooth operation without speed fluctuations achieved through coreless structure with low cogging

Range Overview

	SGM7D	SGM7F	SGM7E
Outer diameter of motor (mm)	107 – 264	100 – 360	135 – 290
Rated torque (Nm)	1.3 – 240	2 – 200	2 – 35
Maximum torque (Nm)	5 – 400	6 – 600	6 – 105
Maximum speed (min ⁻¹)	48 – 360	250 – 600	250 – 500
Supply Voltage	200V		
Encoder	24 bit (multiturn and incremental)		



Open for challenging Applications

YASKAWA provides equipment for a broad range of applications and offers support in all engineering tasks. This way YASKAWA will find the perfect solution for common tasks and complex automation challenges.

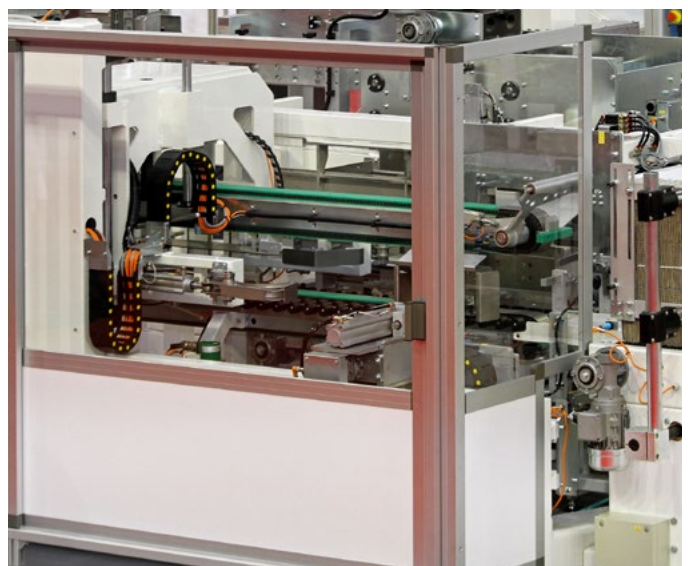
- Quick and easy set-up and no configuration effort - these are the benefits of the YASKAWA out-of-the-box solutions.
- In case you want to upgrade a solution, the whole Sigma-7 system can easily be used for any new task.

Complete Solutions

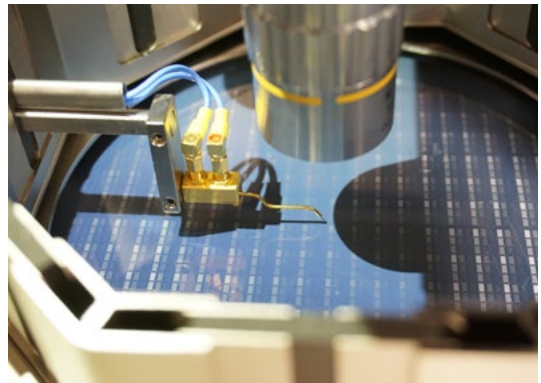
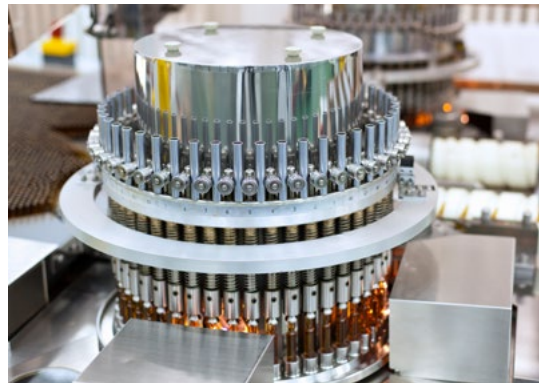
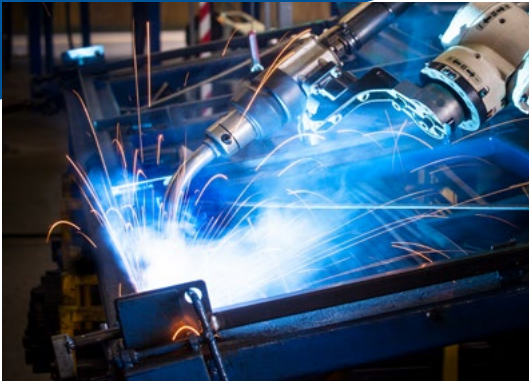
YASKAWA offers comprehensive customized automation solutions with powerful hardware, including controller, visualization, drive concept and industrial robots.

Our motion control products are developed to control all functions in machine process control including motion control, PLC functionality, I/O, sequential logic and process algorithms. Controller integration lowers system cost, increases performance, reduces required panel space and unifies programming.

Process monitoring and diagnostics are inherent features of our platform. These advancements increase product throughput and reduce machine downtime. With our systems in the field, productivity increases by more than 200 % have been achieved. Smoother running and e-stop recovery routines lessen mechanical wear and reduce down time.



For a wide Range of Applications



- Machine tools
- Printing rolls
- Indexers
- Sorters and bonders

- Rotary tables
- Semiconductor manufacturing
- Direct torque transmission
- And many other applications

Sigma-7 Direct Drive Motors Highlights

High precision and performance



Built-in high-resolution 24 bit encoder

With 16.77 million pulses per revolution, we provide the industry-top level of positioning precision.



Improved machine performance

The motion mechanisms stiffness is greatly improved. YASKAWA direct drive motors allow high radial and axial forces. The motors are also available in a high mechanical precision version.

High efficiency and energy saving



Short acceleration and settling time

In combination with the Sigma-7 drive and the performance of the linear motor, the after motion settling time will be shortened significantly.



No gear losses

There is no reduction like a gear or a belt in efficiency due to a power transmitting mechanism, which helps save energy for the machine. A high amount of poles guarantees a smooth running characteristic of the motor. No gear losses.

High reliability and compact design



Ease of operation and high reliability

YASKAWA products stand for high reliability by best performance. YASKAWA Direct Drive Motors are easily handled by the use of the integrated auto tuning functions.



Direct coupling design and construction

A direct drive servomotor is an actuator that directly transmits the rotational force of the motor so that couplings and other support mechanisms are not required, which saves installation space.

Combination of Direct Drive Servomotors and SERVOPACKs

Direct Drive Servomotor Model		Rated torque [Nm]	Instantaneous Max. Torque [Nm]	SERVOPACK Model		
				SGD7S-□□□□	SGD7W-□□□□ SGD7C-□□□□	
SGM7D (With core, outer rotor)	SGM7D-30F	30	50	120A ^{*1}	-	
	SGM7D-58F	58	100			
	SGM7D-90F	90	150			
	SGM7D-1AF	110	200			
	SGM7D-01G	1.3	4	2R8A ^{*1} , 2R8F ^{*1}		
	SGM7D-05G	5	6			
	SGM7D-08G	8	15			
	SGM7D-18G	18	30	120A ^{*1}		
	SGM7D-24G	24	45			
	SGM7D-34G	34	60			
	SGM7D-45G	45	75			
	SGM7D-03H	3	4	2R8A ^{*1} , 2R8F ^{*1}		
	SGM7D-28I	28	50	120A ^{*1}		
	SGM7D-70I	70	100			
	SGM7D-1ZI	100	150			
	SGM7D-1CI	130	200			
	SGM7D-2BI	220	300			
	SGM7D-2DI	240	400			
	SGM7D-06J	6	8			
	SGM7D-09J	9	15			
	SGM7D-18J	18	30			
	SGM7D-20J	20	45			
	SGM7D-38J	38	60	2R8A ^{*1} , 2R8F ^{*1}		
	SGM7D-02K	2.06	5			
	SGM7D-06K	6	10			
	SGM7D-08K	8	15			
SGM7D-06L	6	10				
SGM7D-12L	12	20	120A ^{*1}			
SGM7D-30L	30	40				
SGM7D-30L	30	40				
SGM7E (Coreless, inner rotor)	SGM7E-02B	2	6	2R8A, 2R1F	2R8A	
	SGM7E-05B	5	15			
	SGM7E-07B	7	21			
	SGM7E-04C	4	12			
	SGM7E-10C	10	30	2R8A, 2R8F		
	SGM7E-14C	14	42			
	SGM7E-08D	8	24			
	SGM7E-17D	17	51			
	SGM7E-25D	25	75			
	SGM7E-16E	16	48			
SGM7E-35E	35	105	5R5A			
SGM7F (With core, inner rotor)	SGM7F-02A	2	6	2R8A, 2R1F	2R8A	
	SGM7F-05A	5	15			
	SGM7F-07A	7	21			
	SGM7F-04B	4	12	2R8A, 2R8F		
	SGM7F-10B	10	30			
	SGM7F-14B	14	42			
	SGM7F-08C	8	24			
	SGM7F-17C	17	51	5R5A		
	SGM7F-25C	25	75	2R8A, 2R8F		2R8A
	SGM7F-16D	16	48	5R5A		
	SGM7F-35D	35	105	7R6A ^{*2} , 120A		7R6A ^{*2}
	SGM7F-45M	45	135	7R6A		
	SGM7F-80M	80	240	120A		-
	SGM7F-1AM	110	330	180A		
	SGM7F-80N	80	240	120A		
	SGM7F-1EN	150	450	200A		
SGM7F-2ZN	200	600				

*1: An SGM7D Servomotor is used together with an FT-specification SERVOPACK. The following SERVOPACK models can be used.

- SGD7S-□□□□□□□□□□□□□□□□
- SGD7S-□□□□□□□□□□□□□□□□
- SGD7S-□□□□□□□□□□□□□□□□

*2: Use the derated values given in the table below for the rated output and rated motor speed of this combination.

SGM7D (Outer Rotor, with Core)

Model designations

SGM7D - 30 F 7 C 4 1

Direct Drive Servomotors 1st + 2nd 3rd 4th 5th 6th 7th digit

1st + 2nd digit - Rated Output

Code	Specification
01	1.30 Nm
02	2.06 Nm
03	3.00 Nm
05	5.00 Nm
06	6.00 Nm
08	8.00 Nm
09	9.00 Nm
12	12.0 Nm
18	18.0 Nm
20	20.0 Nm
24	24.0 Nm
28	28.0 Nm
30	30.0 Nm
34	34.0 Nm
38	38.0 Nm
45	45.0 Nm
58	58.0 Nm
70	70.0 Nm
90	90.0 Nm
1Z	100 Nm
1A	110 Nm
1C	130 Nm
2B	220 Nm
2D	240 Nm

3rd digit - Servomotor Outer Diameter

Code	Specification
F	264 mm dia.
G	160 mm dia.
H	116 mm dia.
I	264 mm dia.
J	150 mm dia.
K	107 mm dia.
L	224 mm x 224 mm

Note:

- Direct Drive Servomotors are not available with holding brakes
- This information is provided to explain model numbers. It is not meant to imply that models are available for all combinations of codes.
- The SGM7D-01G, -05G, and -03H are available only with high mechanical precision.

4th digit - Serial Encoder

Code	Specification
7*	24-bit multiturn absolute encoder
F*	24-bit incremental encoder

* Both multiturn absolute encoder and incremental encoder can be used as a single-turn absolute encoder by setting parameters.

5th digit - Design Revision Order

Code	Specification
C	Standard Version

6th digit - Flange

Code	Mounting	Servomotor Outer Diameter Code (3rd digit)						
		F	G	H	I	J	K	L
4	Non-load side with cable on side	✓	✓	✓	—	—	—	✓
5	Non-load side with cable on bottom	✓	✓*	—	✓	✓	✓	—

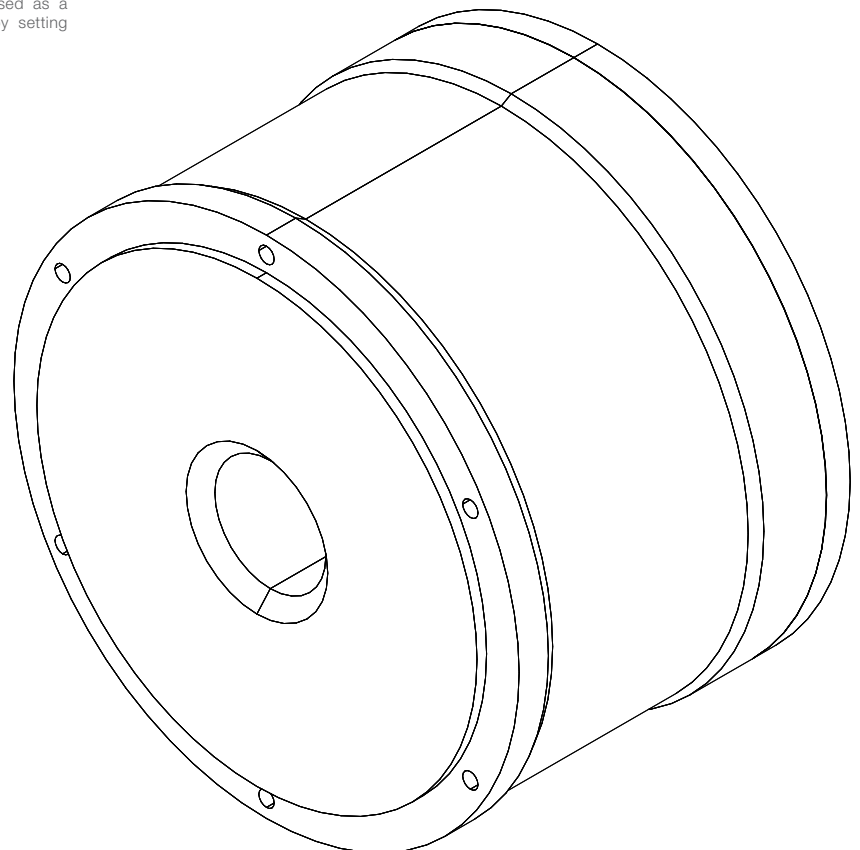
✓ : Applicable models

* SGM7D-01G and -05G are not available with a cable extending from the bottom.

7th digit - Options

Code	Specification
1	Standard mechanical precision
2	High mechanical precision ^{†3}

* The SGM7D-01G, -05G, and -03H are available only with high mechanical precision.



SGM7E (Inner Rotor, Coreless)

Model designations

SGM7E - 02 B 7 A 1 1

Direct Drive Servomotors 1st + 2nd 3rd 4th 5th 6th 7th digit

1st + 2nd digit - Rated Output	
Code	Specification
02	2 Nm
04	4 Nm
05	5 Nm
07	7 Nm
08	8 Nm
10	10 Nm
14	14 Nm
16	16 Nm
17	17 Nm
25	25 Nm
35	35 Nm

3rd digit - Servomotor Outer Diameter	
Code	Specification
B	135 mm dia.
C	175 mm dia.
D	230 mm dia.
E	290 mm dia.

4th digit - Serial Encoder	
Code	Specification
7*	24-bit multiturn absolute encoder
F*	24-bit incremental encoder

* Both multiturn absolute encoder and incremental encoder can be used as a single-turn absolute encoder by setting parameters.

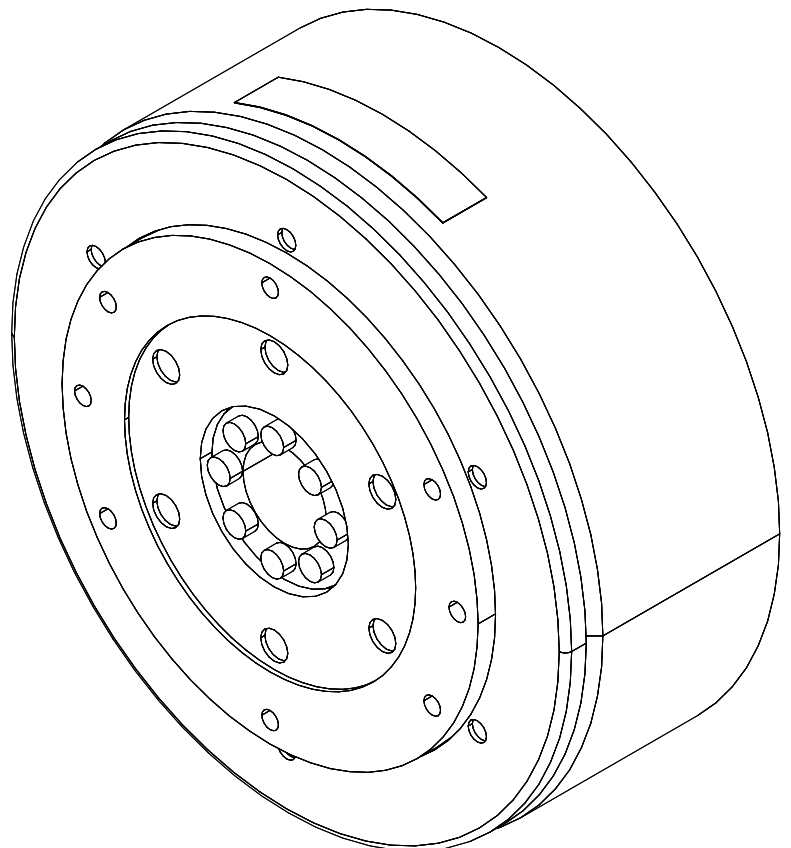
5th digit - Design Revision Order	
Code	Specification
A	Standard version

6th digit - Flange	
Code	Mounting
1	Non-load side
4	Non-load side with cable on side

7th digit - Options	
Code	Specification
1	Without options
2	High machine precision (runout at end of shaft and runout of shaft surface: 0.01 mm)

Note:

1. Direct Drive Servomotors are not available with holding brakes.
2. This information is provided to explain model numbers. It is not meant to imply that models are available for all combinations of codes.



More detailed information, technical specifications and accessories (e.g. cables) can be found in our main Sigma-7 200V catalog. Please contact your YASKAWA representative or find the documents on our website.

SGM7F (Inner Rotor, with Core)

Model designations

SGM7F - 02 A 7 A 1 1

Direct Drive Servomotors 1st + 2nd 3rd 4th 5th 6th 7th digit

1st + 2nd digit - Rated Output	
Code	Specification
Small Capacity	
02	2 Nm
04	4 Nm
05	5 Nm
07	7 Nm
08	8 Nm
10	10 Nm
14	14 Nm
16	16 Nm
17	17 Nm
25	25 Nm
35	35 Nm
Medium Capacity	
45	45 Nm
80	80 Nm
1A	110 Nm
1E	150 Nm
2Z	200 Nm

3rd digit - Servomotor Outer Diameter	
Code	Specification
A	100 mm dia.
B	135 mm dia.
C	175 mm dia.
D	230 mm dia.
M	280 mm dia.
N	360 mm dia.

4th digit - Serial Encoder	
Code	Specification
7*	24-bit multiturn absolute encoder
F*	24-bit incremental encoder

* Both multiturn absolute encoder and incremental encoder can be used as a single-turn absolute encoder by setting parameters.

5th digit - Design Revision Order	
Code	Specification
A	Standard Version

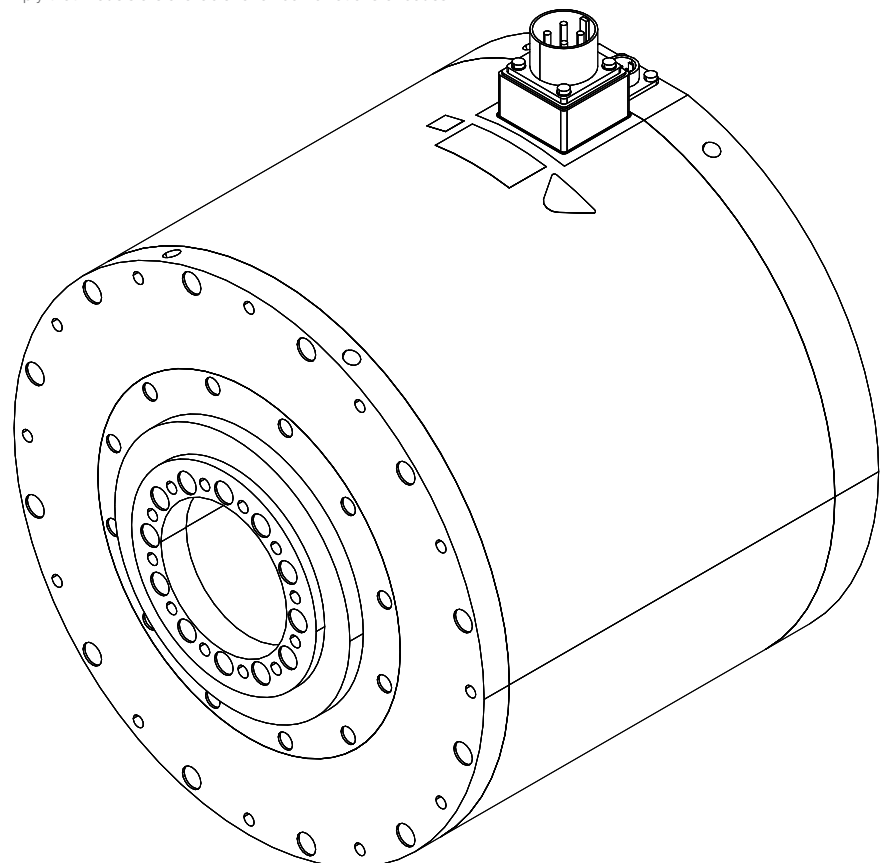
6th digit - Flange		Servomotor Outer Diameter Code (3rd digit)					
Code	Mounting	A	B	C	D	M	N
		1	Non-load side	✓	✓	✓	✓
	Load side	—	—	—	—	✓	✓
3	Non-load side	—	—	—	—	✓	✓
4	Non-load side (with cable on side)	✓	✓	✓	✓	—	—

✓ : Applicable models

7th digit - Options	
Code	Specification
1	Without Options
2	High machine precision (runout at end of shaft and runout of shaft surface: 0.01 mm)

Note:

- Direct Drive Servomotors are not available with holding brakes.
- This information is provided to explain model numbers. It is not meant to imply that models are available for all combinations of codes.



More detailed information, technical specifications and accessories (e.g. cables) can be found in our main Sigma-7 200V catalog. Please contact your YASKAWA representative or find the documents on our website.

Notes

YASKAWA Europe GmbH

Drives Motion Controls Division
Hauptstr. 185
65760 Eschborn
Germany

+49 6196 569-500
support@yaskawa.eu.com
www.yaskawa.eu.com

10/2018
YEU_MuC_Direct_Drives_EN_v1

Specifications are subject to change without notice for ongoing product modifications and improvements. © YASKAWA Europe GmbH. All rights reserved.

YASKAWA